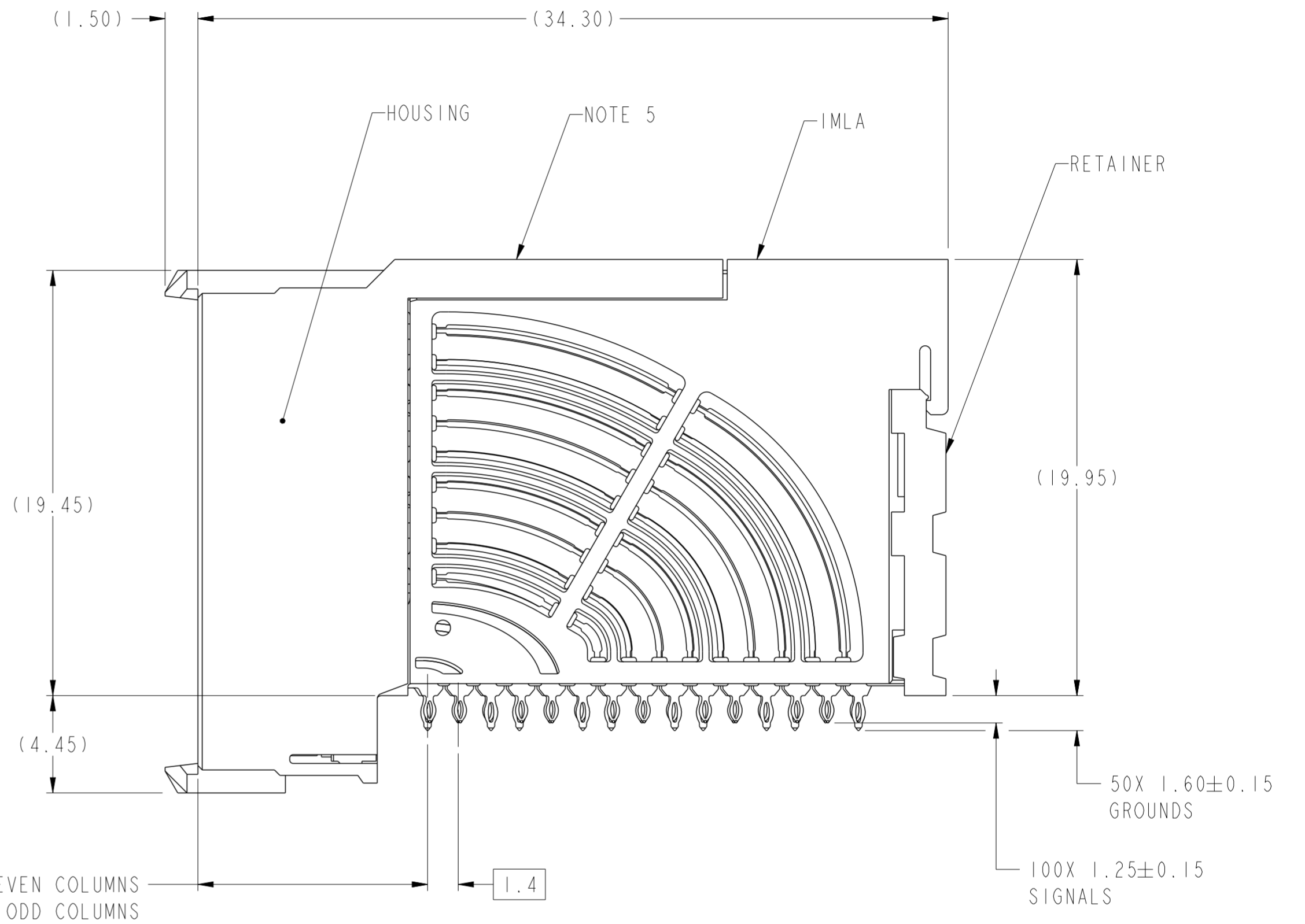
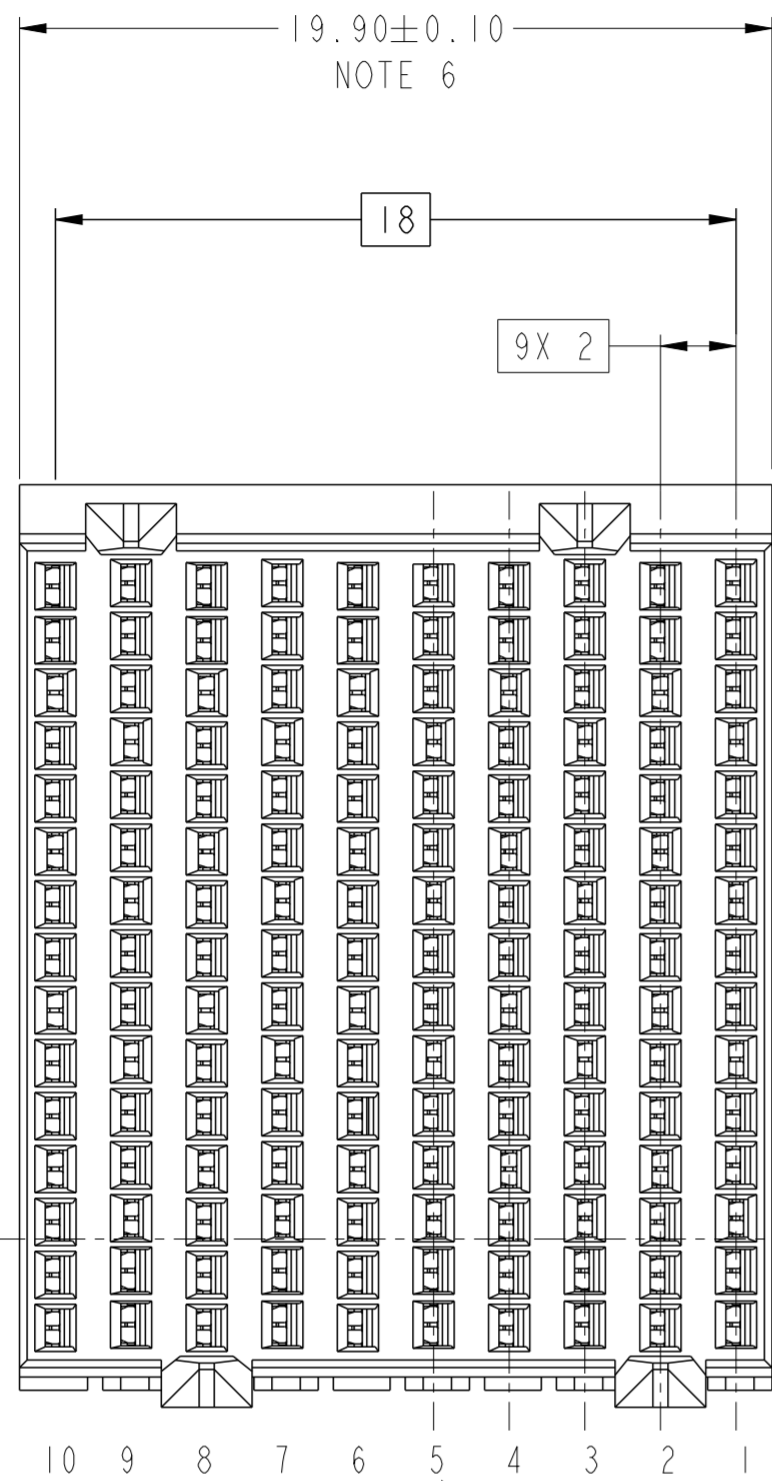


PRODUCT NUMBER
SEE SHEET 3



2.35

2.25

TOP SURFACE OF DAUGHTER CARD

ODD COLUMN, CONTACT ROW ID

EVEN COLUMN, CONTACT ROW ID
ODD AND EVEN COLUMNS ARE OFFSET

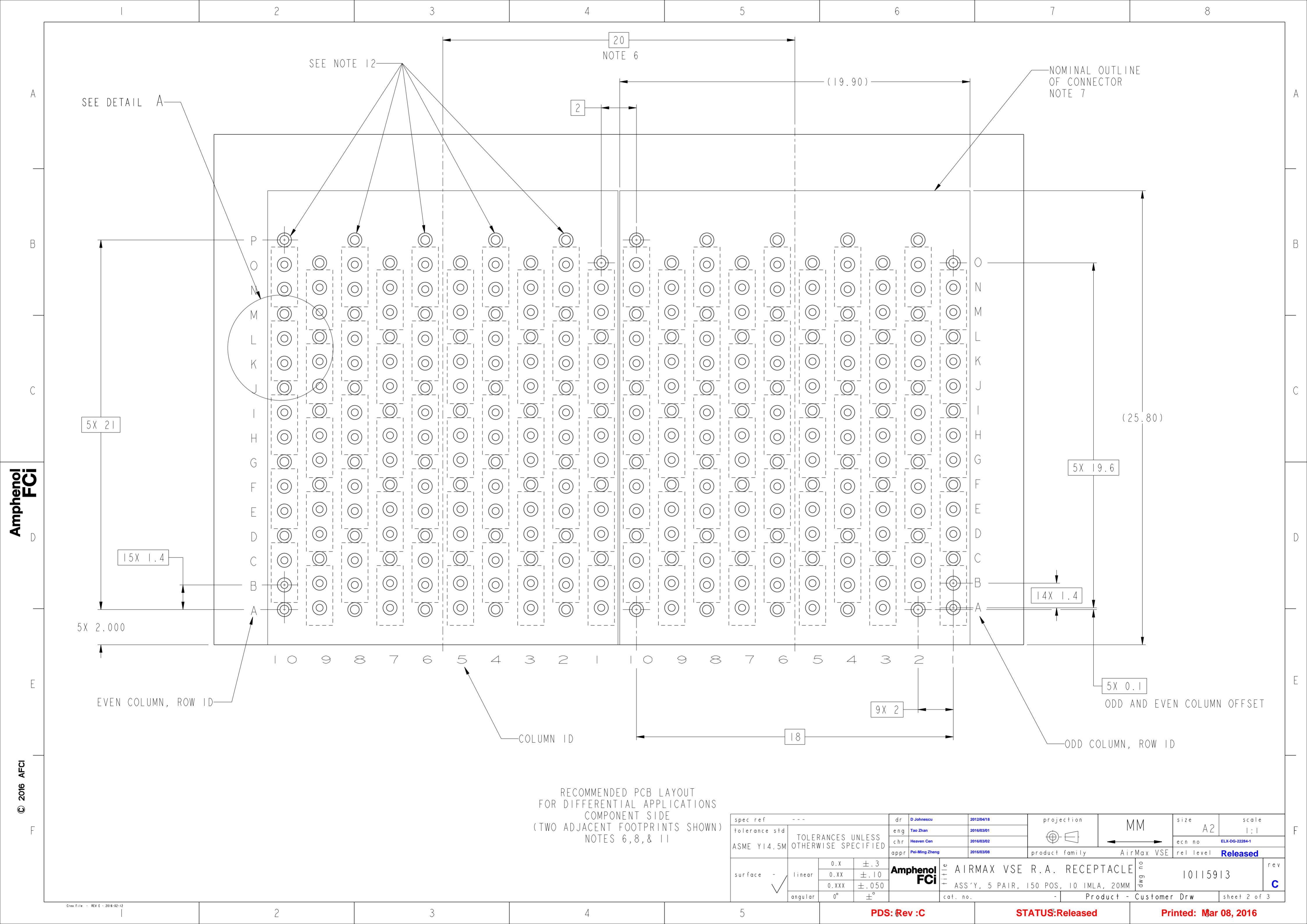
COLUMN ID

spec ref	---	dr	D.Johnescu	2012/04/18	projection	MM	size	A2	scale	1:1												
tolerance std	ASME Y14.5M	eng	Tao Zhan	2016/03/01			ecn no	ELX-DG-22284-1	rel level	Released												
TOLERANCES UNLESS OTHERWISE SPECIFIED		chr	Heaven Cen	2016/03/02			product family	AirMax VSE														
surface	<table border="1"> <tr> <td>linear</td> <td>0.X</td> <td>±.3</td> </tr> <tr> <td></td> <td>0.XX</td> <td>±.10</td> </tr> <tr> <td></td> <td>0.XXX</td> <td>±.050</td> </tr> <tr> <td>angular</td> <td>0°</td> <td>±°</td> </tr> </table>	linear	0.X	±.3				0.XX		±.10		0.XXX	±.050	angular	0°	±°	appr	Pei-Ming Zheng	2016/03/08	title	AIRMAX VSE R.A. RECEPTACLE ASS'Y, 5 PAIR, 150 POS, 10 IMLA, 20MM	dwg no
linear	0.X	±.3																				
	0.XX	±.10																				
	0.XXX	±.050																				
angular	0°	±°																				
		cat. no.			Product - Customer Drw		sheet 1 of 3															

PDS: Rev :C

STATUS:Released

Printed: Mar 08, 2016



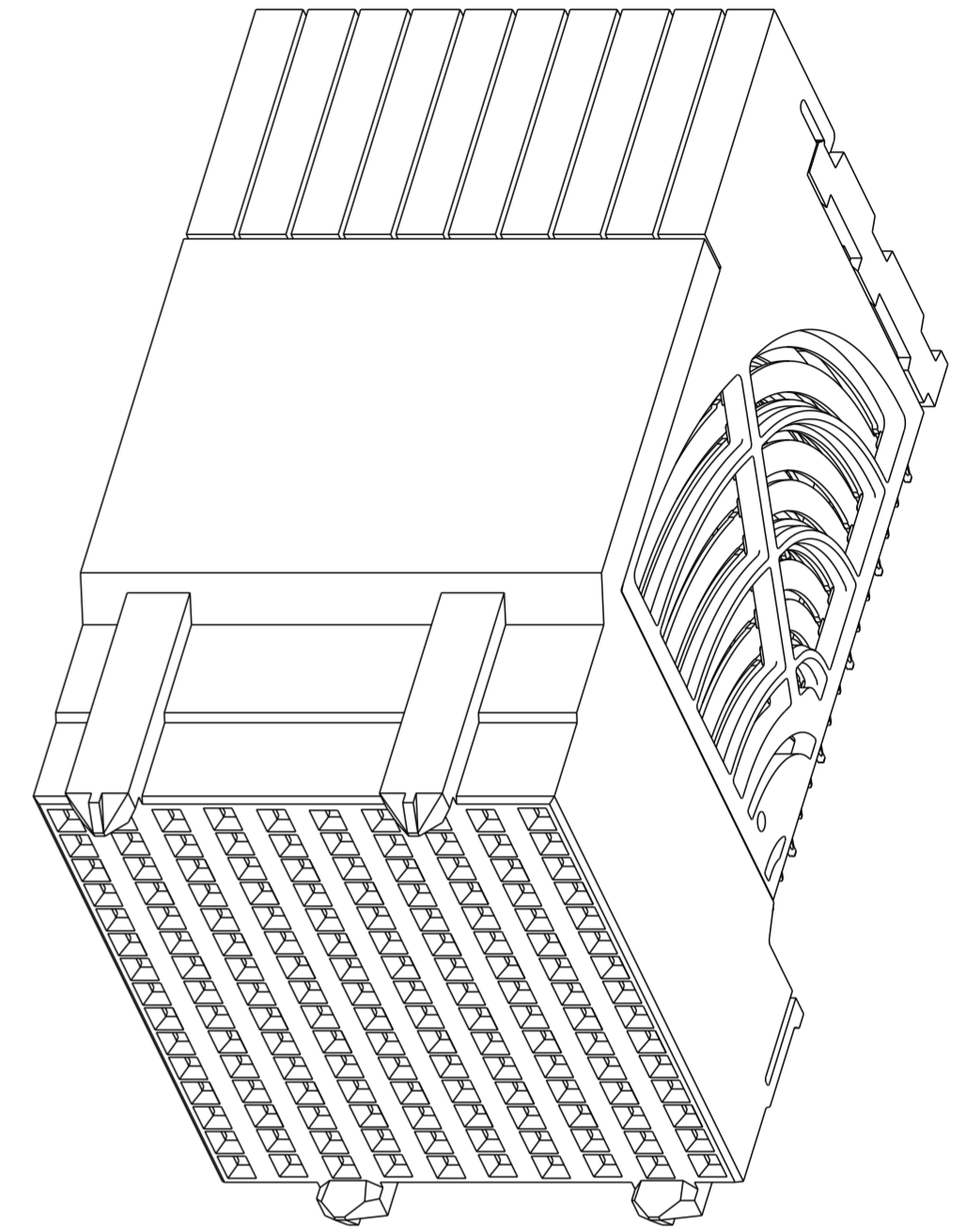
RECOMMENDED PCB LAYOUT
 FOR DIFFERENTIAL APPLICATIONS
 COMPONENT SIDE
 (TWO ADJACENT FOOTPRINTS SHOWN)
 NOTES 6, 8, & 11

spec ref	---	dr	D.Johnescu	2012/04/18	projection	MM	size	A2	scale	1:1		
tolerance std	ASME Y14.5M	eng	Tao Zhan	2016/03/01			ecn no	ELX-DG-22284-1				
surface	-	linear	0.X	±.3				product family	AirMax VSE	rel level	Released	
			0.XX	±.10							Amphenol FCI	TITLE AIRMAX VSE R.A. RECEPTACLE ASS'Y, 5 PAIR, 150 POS, 10 IMLA, 20MM
	0.XXX	±.050	cat. no.	-	Product - Customer Drw	sheet 2 of 3						
		angular	0°	±°								

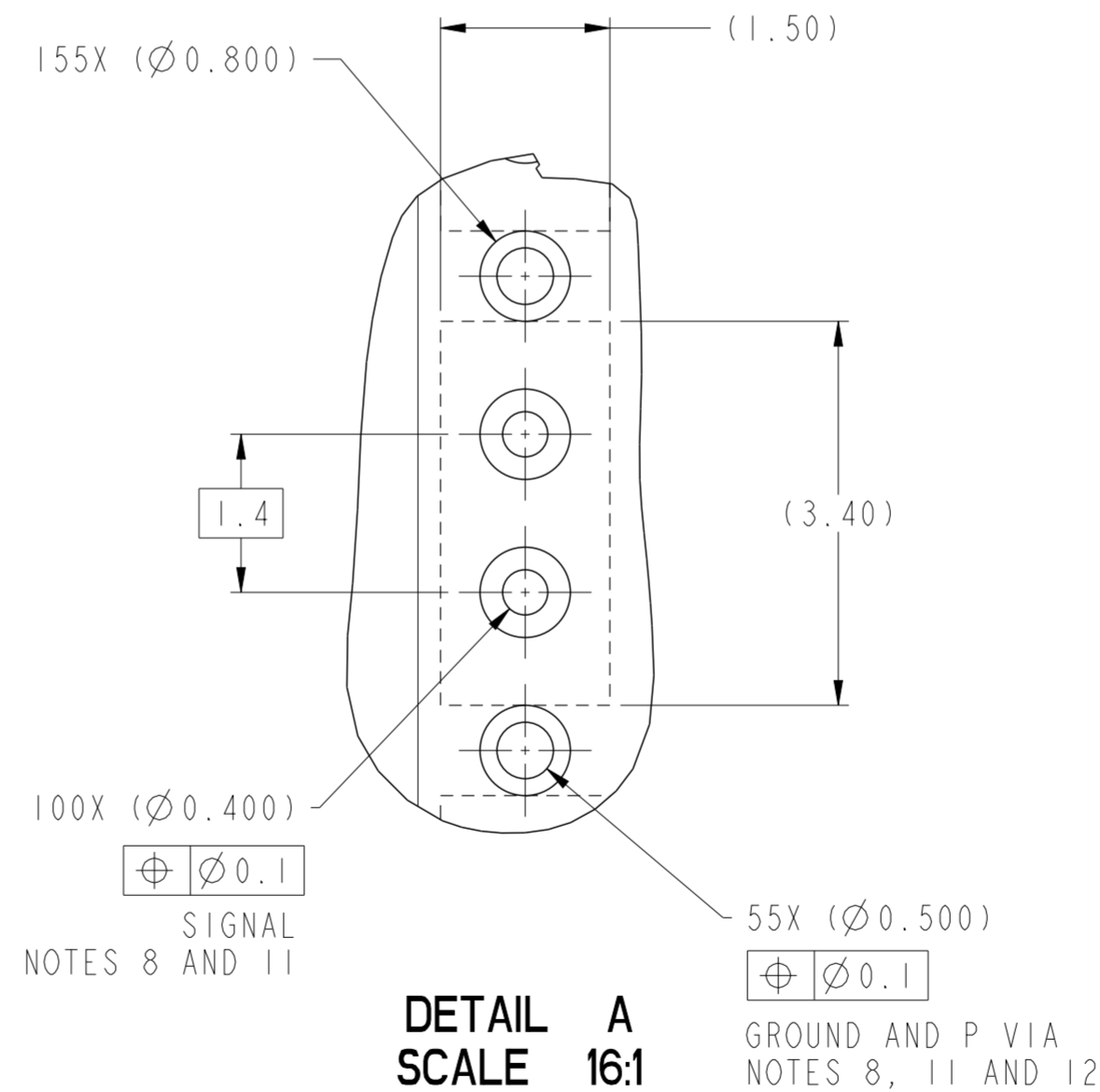
PRODUCT NUMBER	PRESS-FIT TAIL PLATING TYPE
10115913-101LF	TIN OVER NICKEL (LEAD FREE)

- ① - CONNECTOR MATERIALS:
HOUSING: HIGH TEMP THERMOPLASTIC, NATURAL, UL94-V0
IMLA PLASTIC: HIGH TEMP THERMOPLASTIC, BLACK, UL94-V0
CONTACT: COPPER ALLOY
ORGANIZER: HIGH TEMP THERMOPLASTIC, WHITE, UL94-V0
- 2 - CONTACT PLATING:
SEPARABLE INTERFACE:
PERFORMANCE-BASED PLATING, QUALIFIED TO MEET THE REQUIREMENTS OF FCI PRODUCT SPECIFICATION GS-12-0956 INCLUDING TELCORDIA GR-1217-CORE (NOVEMBER 1995) CENTRAL OFFICE TEST SEQUENCE

PRESS-FIT TAILS: SEE TABLE
- 3 - PRODUCT SPECIFICATION: GS-12-0956
- 4 - APPLICATION SPECIFICATION: GS-20-0305.
- ⑤ - PRODUCT MARKING, (PROTOTYPE, PART NUMBER & LOT CODE), ON THIS SURFACE.
- ⑥ - THE MINIMUM CENTERLINE SPACING BETWEEN ADJACENT MODULES IS 20.0 MM.
- ⑦ - CONNECTOR OUTLINE MAY BE SCREEN PRINTED ONTO CUSTOMER PCB TO BE USED AS A GUIDE FOR MANUAL CONNECTOR PLACEMENT.
- ⑧ - REFER TO CUSTOMER DRAWING 10104444 FOR INFORMATION ON PCB HOLE DIAMETERS AND PLATING OPTIONS
- 9 - LEAD FREE PRODUCT MEETS THE EUROPEAN UNION DIRECTIVES & OTHER COUNTRY REGULATIONS AS DESCRIBED IN GS-22-008
- 10 - PACKAGING MEETS GS-14-920 LEAD FREE LABELING SPECIFICATION.
- ⑪ - GROUND CONTACTS (C,F,I,L AND O IN ODD COLUMNS AND A,D,G,J AND M, EVEN COLUMNS) REQUIRE (Ø0.500) FINISHED HOLES. SIGNAL LOCATIONS REQUIRE (Ø0.400) FINISHED HOLES.
- ⑫ - THESE OUTER VIAS (P) ARE OPTIONAL. WHILE NO CONNECTOR EONS ARE PRESSED INTO THESE HOLES, WE RECOMMEND (Ø 0.500) FINISHED HOLES AT THESE LOCATIONS TO PROVIDE GROUND SYMMETRY THROUGH THE PCB



10115913-101LF
SCALE 4:1



DETAIL A
SCALE 16:1

spec ref	---	dr	D.Johnescu	2012/04/18	projection	MM	size	A2	scale	4:1											
tolerance std	ASME Y14.5M	eng	Tao Zhan	2016/03/01			ecn no	ELX-DG-22284-1													
TOLERANCES UNLESS OTHERWISE SPECIFIED		chr	Heaven Cen	2016/03/02			rel level	Released													
surface	<table border="1"> <tr> <td>linear</td> <td>0.X</td> <td>±.3</td> </tr> <tr> <td></td> <td>0.XX</td> <td>±.10</td> </tr> <tr> <td></td> <td>0.XXX</td> <td>±.050</td> </tr> <tr> <td>angular</td> <td>0°</td> <td>±°</td> </tr> </table>	linear	0.X	±.3				0.XX	±.10		0.XXX	±.050	angular	0°	±°	appr	Pai-Ming Zheng	2016/03/08	product family		
linear	0.X	±.3																			
	0.XX	±.10																			
	0.XXX	±.050																			
angular	0°	±°																			
				title AIRMAX VSE R.A. RECEPTACLE ASS'Y, 5 PAIR, 150 POS, 10 IMLA, 20MM		dwg no 10115913	rev C		Product - Customer Drw sheet 3 of 3												