

NOTES:

1. MATERIAL AND FINISH:

BODY: BERYLLIUM COPPER, ALBALOY PLATING OVER SILVER
 CONTACT PIN: BERYLLIUM COPPER, GOLD PLATING
 INSULATOR: PTFE, NATURAL

2. ELECTRICAL:

- A. IMPEDANCE: 50 OHM
- B. FREQUENCY RANGE: DC TO 10 GHz
- C. RETURN LOSS(VSWR): 30 dB MIN.@ DC-2 GHz
 27 dB MIN.@ 2-4 GHz
 24 dB MIN.@ 4-6 GHz
- D. INSERTION LOSS: $0.05X\sqrt{f(\text{GHz})}$ dB MAX. @ DC-6 GHz
- E. INSULATION RESISTANCE: 5 GOHM MIN.
- F. DIELECTRIC WITHSTANDING VOLTAGE: 1000 VRMS, MIN.
- G. POWER HANDLING: 200 W MAX.@ 2.2 GHz AT 20°C
- H. INTERMODULATION(3rd order): 160 dBc Min.@ 2X43dBm

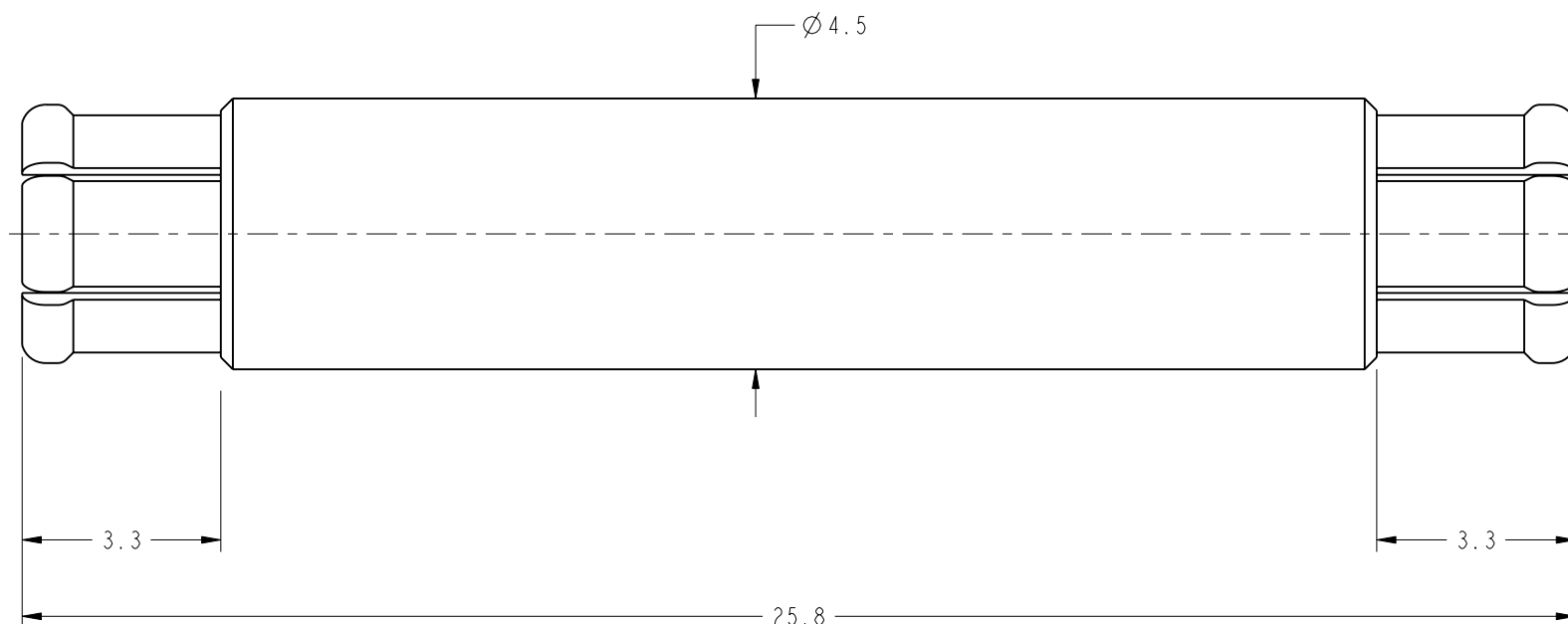
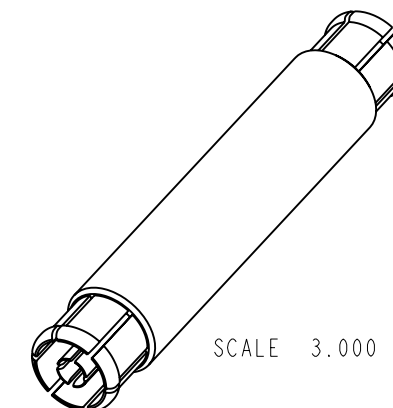
3. MECHANICAL:

- A. MATING CYCLES:
 IF MATING PART IS SMOOTH BORE,CATCHERS MITT: 1000 CYCLES MIN.
 IF MATING PART IS LIMITED & FULL DETENT:100 CYCLES MIN.
- B. TEMPERATURE RANGE: -65°C TO +165°C

THIRD ANGLE PROJ.

REVISIONS

REV	DESCRIPTION	DATE	ECO	APPR
A	RELEASE TO MFG., PART NO. WAS: 915-1003	19-Nov-15	50843	BCG



CUSTOMER OUTLINE DRAWING

ALL OTHER SHEETS ARE FOR INTERNAL USE ONLY

UNLESS OTHERWISE SPECIFIED, DIMENSIONS ARE IN METRIC AND TOLERANCES ARE: <0.5mm ±0.05mm 0.5 - 6mm ±0.1mm 6 - 30mm ±0.2mm 30 - 120mm ±0.3mm ANGLES ±1° NOTICE - These drawings, specifications, or other data (1) are, and remain the property of Amphenol corp. (2) must be returned upon request; and (3) are confidential and not to be disclosed to any person other than those to whom they are given by Amphenol Corp. the finishing of these drawings, specifications, or other data by Amphenol Corp., or to any other person to anyone for any purpose is not to be regarded by implication or otherwise in any manner licensing, granting rights to permitting such holder or any other person to manufacture, use or sell any product, process or design, patented or otherwise, that may in any way be related to or disclosed by said drawings, specifications, or other data.	MATERIAL	DRAWN	DATE	TITLE PSMP BULLET 25.8mm LONG	Amphenol RF www.amphenolrf.com	
	REFERENCE EAR06125	ENGINEER	DATE			DRAWING NO. PSMP7071A2-013-AT8GPA-50
	CONFIGURATION LEVEL:	APPROVED	DATE	SCALE: 8.0:1.0	SHEET 2 OF 2	ITEM NO. 677071ABDA1BT5F
	FINISH	I:\PSMP\PSMP7071A2-013-AT8GPA-50		DWG SIZE B	REV A	PART NO. PSMP-FSBA-2580