

SUMMARY

Wires

Low	2
High	0
Coax	0
Triax	0
Quad	0
Fiber	0
Fluidic	0

Series	5B
Termination type	Male solder
IP rating	50
Cable Ø	15.60 - 17.50 mm
Matching parts	EGG.5B.302.CLL
Status	
Alternative part	



Image is for illustrative purpose only

Download

[Request a quote](#)

[Catalog](#)

TECHNICAL DETAILS

Mechanics

Shell Style/Model	FG*: Straight plug, cable collet
Keying	1 key (alpha=0, plug: male contacts, receptacle: female contacts)
Housing Material	Brass (chrome plated) shell and collet nut, nickel plated brass latch sleeve and mid pieces
Cable Fixing	D17: 15.6 - 17.5 mm
Variant	

Performance

Configuration	5B.302 : 2 Low Voltage
Insulator	L: PEEK (UL 94 / V-0/3.2, depends on material thickness)
Rated Current	50 Amps

Specifications

Contact Type:	Solder
Max. Matings:	1000
Contact Dia.:	6 mm (0.236in)
Bucket Dia.:	5.2 mm (0.205in)
Max. Solid Conductor:	10 mm ² (AWG 8)
Max. Stranded Conductor:	10 mm ² (AWG 8)

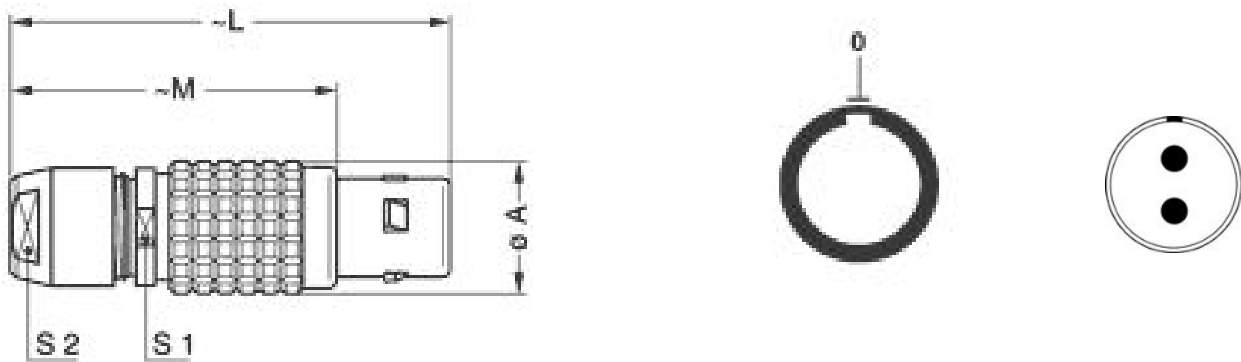
R (max): 1.2 mOhm
Vtest (contact-shell): 2950 V (AC), 4170 V (DC)
Vtest (contact-contact): 3600 V (AC), 5000 V (DC)

Others

Temp (min / max): -55°C / +250°C
Humidity (max): <=95% [at 60 deg C / 140 F]
Vibration: 15 g [10 Hz - 2000 Hz]
Shock Resistance: 100 g [6 ms]
Salt Spray Corrosion: >1000 hr
Climatical Category: 50/175/21
Shielding (min): 75 dB (10 MHz)
Shielding (min): 40 dB (1 GHz)
IP Rating: 50

DRAWINGS

Draws



Dimensions

	A	L	M	S1	S2
mm.	35	103	78	31	30
in.	1,38	4,06	3,07	1,22	1,18

RECOMMENDED BY LEMO

Tools

Caps: BFG.5B.100.NAS

Cables

CFN.3K.93C.160PNCA	PVC	Black	
CFN.3K.93C.160PNCS	PVC	Black	