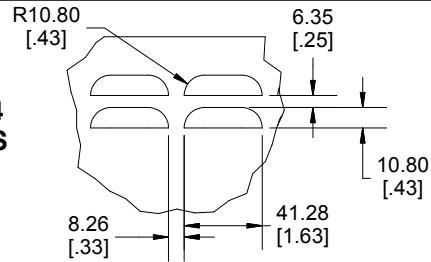
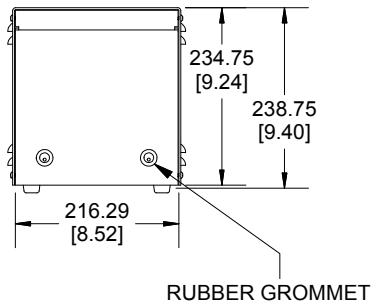


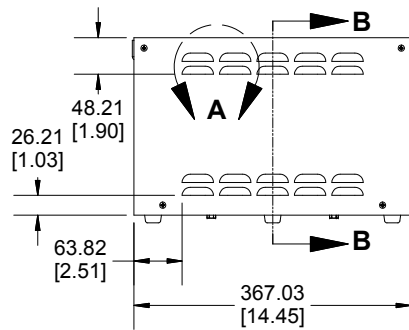
**DETAIL A  
SCALE 1 / 4  
SIDE VENTS**



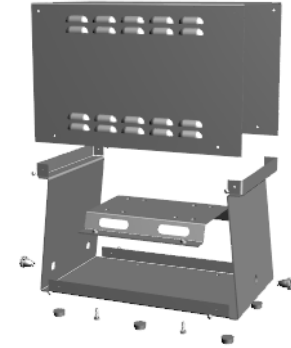
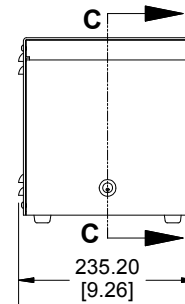
**BACK VIEW OF ENCLOSURE**



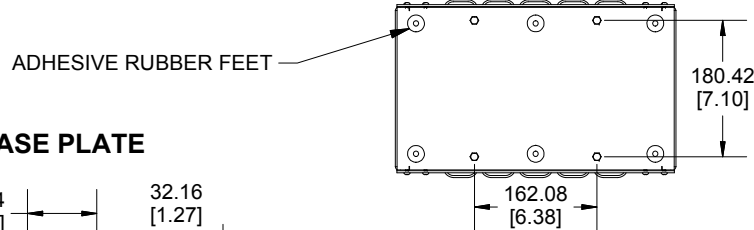
**SIDE VIEW OF ENCLOSURE**



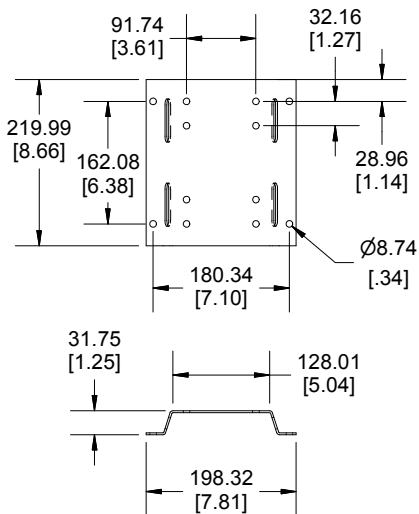
**FRONT VIEW OF ENCLOSURE**



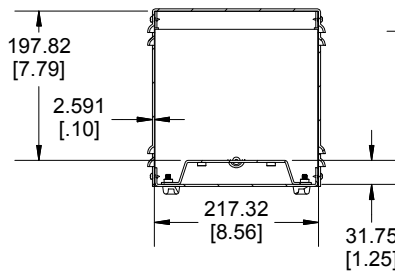
**BOTTOM VIEW OF ENCLOSURE**



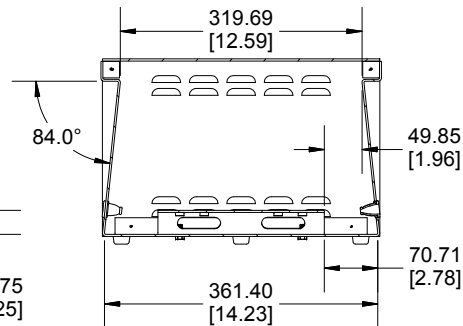
**CASE PLATE**



**SECTION B-B  
END VIEW**



**SECTION C-C  
SIDE VIEW**



Dimensions:  
mm  
[inches]

Enclosures can be Factory Modified ( Milling, Drilling, Printing etc.)  
Contact Factory [mjm@hammondmfg.com](mailto:mjm@hammondmfg.com) for quotes  
Solid models of this enclosure available in STEP or IGES.

**NOTE**

Case Includes Adhesive Rubber Feet, Rubber Grommets,  
Aluminum Case Plate and Required Hardware.  
Enclosure Case is Made of 0.1" Aluminum.  
Enclosure Top Panel is Made of 0.1" Aluminum.  
Inside Case Plate is Made of 0.1" Aluminum.

**PART NUMBERS**

516-0010 Enclosure	
Dark Grey Top Case and Base Case	516-0010
ACCESSORIES	
Plated Cover Screws (Pkg 50) [#8 x 3/8 Self Tapping]	SC18609-50
Black Self-Adhesive Rubber Feet (Pkg 4)	1421T9

**HAMMOND  
MANUFACTURING™**

**516-0010**

[www.hammondmfg.com](http://www.hammondmfg.com)