

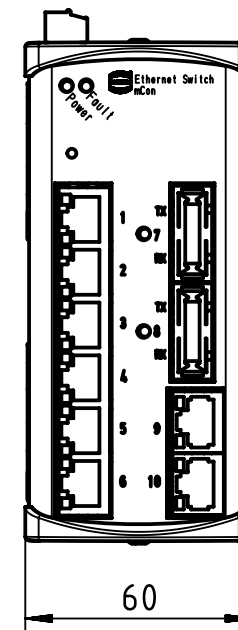
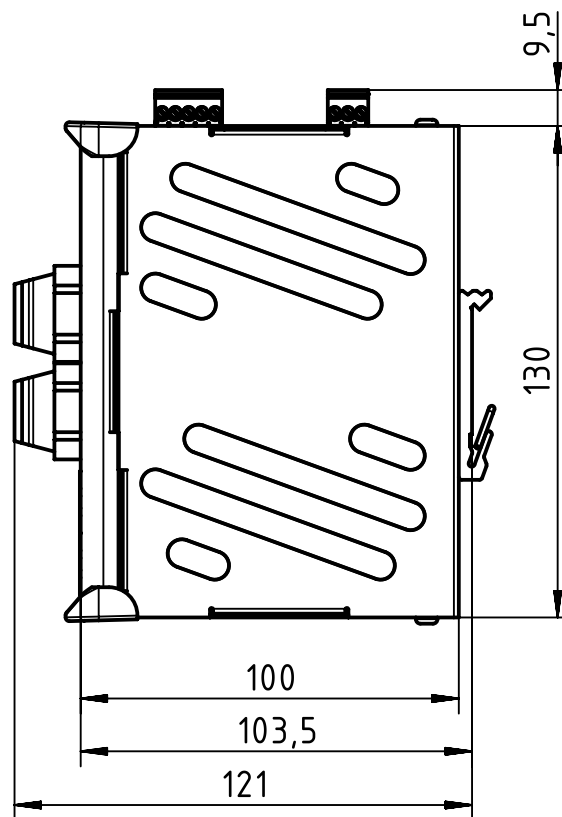
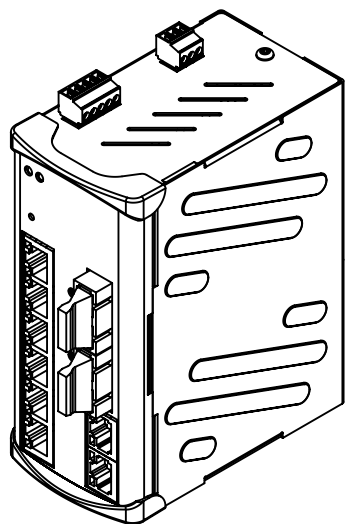
1 2 3 4 5 6

A

B

C

D



for mounting rail acc. to DIN EN 60715

	All rights reserved Department EL PD - DE	All Dimensions in mm Original Size DIN A4		Scale 1:2	Free size tol.	Ref. Sub. TB 20 76 110 4101 v. 29.01.09	
		Created by ILJIN	Inspected by LOETKEMANN	Standardisation SCHMIDTM	Date 2013-09-03	State Final Release	
HARTING Electric GmbH & Co. KG D-32339 Espelkamp		Title Ha-VIS mCon 3082-ADV				Doc-Key / ECM-Nr. 100172733/UGD/004/A 5500 0000 0000 0000 0000 0000 0000 0000	
		Type TB	Number 20 76 110 4101			Rev. A	Page 1/1