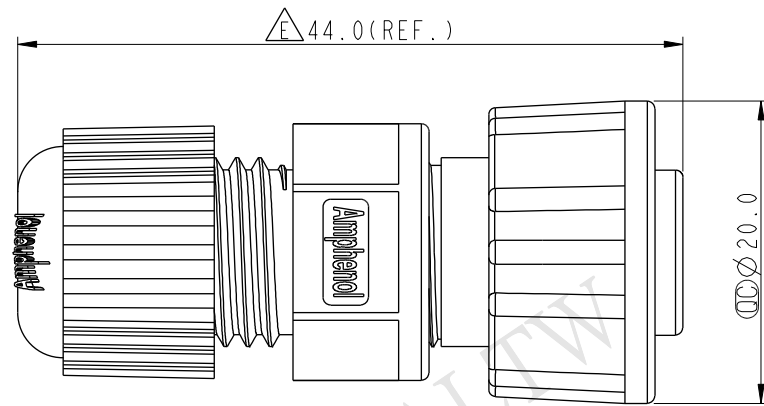
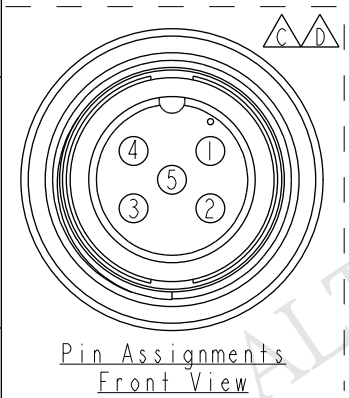
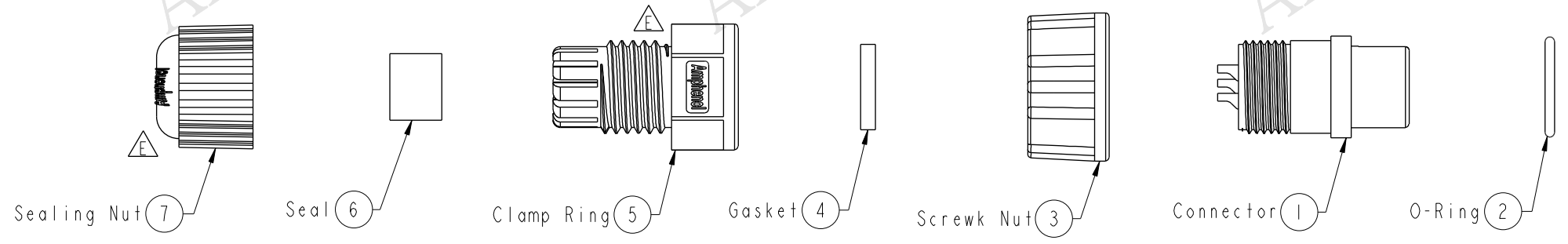


THIS DOCUMENT IS SUBJECT TO CHANGE WITHOUT NOTICE. IT IS CONFIDENTIAL AND A PROPERTY OF Amphenol LTW. DISCLOSURE TO THIRD PARTY HAS TO BE AUTHORIZED BY Amphenol LTW.

REV.	ECN NO.	DATE	SIGN	DESCRIPTION
C	LEN-910226	2009/01/09	Li Xiu Zhi	Change Screw Nut Front View
D	LEN-0C0587	2010/11/29	Ivan	Change View
E	LEN14C0037	2014/11/21	Vicky	Update Logo & Dimension

**ALTW**  
 CONFIDENTIAL  
 2014-11-21  
 R&D DEPT.

**ALTW**  
 DCC. DEPT.  
 CONFIDENTIAL  
 2014.12.03  
 ISSUED



- Note:
- \*  $\text{⌀}$  Important Dimension To Check.
  - \* Waterproof Rate: IP67
  - \* Housing: Nylon+GF, Black
  - \* Female Pin: Copper Alloy, Gold Plated
  - \* O-Ring: EPDM, Black
  - \*  $\triangle E$  Screw Nut: Nylon+GF, Black
  - \* Gasket: EPDM, Black
  - \* Clamp Ring: Nylon, Black
  - \* Seal: EPDM, Black
  - \* Sealing Nut: Nylon, Black
  - \* Seal For Cable OD:  $\text{⌀} 4.5\text{mm} \sim \text{⌀} 6.5\text{mm}$   
(防水墊圈線徑:  $\text{⌀} 4.5\text{mm} \sim \text{⌀} 6.5\text{mm}$ )
  - \* One Set Unassembled In One PE Bag  
(每一組未組裝, 放置於一個PE袋, 並封口)

UNIT: mm 	TITLE STANDARD ASSY SCREW 5PIN F CONN F PIN			ITEM NO. BD-05BFFA-SL7001		DRAWN BY Vicky		DATE 2014-11-21	
	SCALE 5:4    SIZE A4    SHEET 1 OF 1			DWG NO. BD-05BFFA-SL7001		CHECKED BY Sam		DATE 2014-11-21	
REV. E    WC-REV. A.2 $\text{Ⓞ}$ : Inspection item			CUSTOMER ALTW		APPROVED BY Rita		DATE 2014-11-21		

**Amphenol LTW**  
 安費諾亮泰企業股份有限公司