

## D-SUB bus connector - SUBCON-PLUS F3 - 2761871

Please be informed that the data shown in this PDF Document is generated from our Online Catalog. Please find the complete data in the user's documentation. Our General Terms of Use for Downloads are valid (<http://phoenixcontact.com/download>)




D-SUB connector, 9-pos. female connector, two cable entries < 35°, bus system: CANopen, FIP, pin assignment: 2, 3, 6, 7, 8, 9 to two screw connection terminal blocks

### Why buy this product

- Assembly under field conditions
- Separate terminal blocks for each cable
- High transmission speed
- Easy assembly thanks to knurled screws
- High level of EMC
- Flexibility in terms of cable entry selection
- For universal use
- Change to the D-SUB orientation through a reversible connection block

### Key Commercial Data

|              |   |
|--------------|---|
| Packing unit | 1 STK   |
| GTIN         | <br>4 017918 156299 |
| GTIN         | 4017918156299   |
| Sales Key    | 07  |

### Technical data

#### Dimensions

|                     |       |
|---------------------|-------|
| Max. cable diameter | 10 mm |
| Min. cable diameter | 6 mm  |
| Width               | 16 mm |
| Height              | 44 mm |
| Length              | 60 mm |

#### Ambient conditions

|                                 |                  |
|---------------------------------|------------------|
| Ambient temperature (operation) | -20 °C ... 75 °C |
|---------------------------------|------------------|

# D-SUB bus connector - SUBCON-PLUS F3 - 2761871

## Technical data

### Ambient conditions

|   |  |
|---|--|
| Ambient temperature (storage/transport) | -25 °C ... 80 °C   |
| Altitude                                | 5000 m (For restrictions see manufacturer's declaration) |
| Degree of protection                    | IP20   |

### General

|                             |  |
|-----------------------------|--|
| Nominal voltage $U_N$       | 50 V   |
| Nominal current $I_N$       | 100 mA   |
| Bus system                  | CANopen <sup>®</sup> , FIP   |
| Signal                      | RS-485   |
| Insertion/withdrawal cycles | > 200  |
| SUBCON fixing screws        | 4-40 UNC   |
| Tightening torque           | 0.4 Nm   |
| Housing material            | ABS, metal-plated  |
| Pin assignment              | 2,3,6,7,8,9 on two terminal blocks   |
| MTTF                        | 6706 Years (SN 29500 standard, temperature 25 °C, operating cycle 21 % (5 days a week, 8 hours a day))     |
|                             | 1817 Years (SN 29500 standard, temperature 40 °C, operating cycle 34.25 % (5 days a week, 12 hours a day)) |
|                             | 155 Years (SN 29500 standard, temperature 40 °C, operating cycle 100 % (7 days a week, 24 hours a day))    |

### Connection data

|                                       |                      |
|---------------------------------------|----------------------|
| Connection                            | D-SUB connection     |
| Number of positions                   | 9                    |
| Connection method                     | D-SUB socket         |
| Tightening torque                     | 0.4 Nm               |
| Connection                            | PCB connection       |
| Connection method                     | Screw connection     |
| Conductor cross section flexible min. | 0.14 mm <sup>2</sup> |
| Conductor cross section flexible max. | 1 mm <sup>2</sup>    |
| Conductor cross section solid min.    | 0.14 mm <sup>2</sup> |
| Conductor cross section solid max.    | 1.5 mm <sup>2</sup>  |
| Conductor cross section AWG min.      | 26                   |
| Conductor cross section AWG max.      | 16                   |
| Stripping length                      | 5 mm                 |
| Tightening torque                     | 0.4 Nm               |

### Standards and Regulations

|   |  |
|---|--|
| Free from substances that could impair the application of coating | according to P-VW 3.10.7 57 65 0 VW-AUDI-Seat central standard |
| Connection in acc. with standard                                  | CUL  |
| ATEX  | # II 3 G Ex nA IIC T4 Gc X                                     |
| Noxious gas test  | ISA-S71.04-1985 G3 Harsh Group A                               |

### Environmental Product Compliance

# D-SUB bus connector - SUBCON-PLUS F3 - 2761871

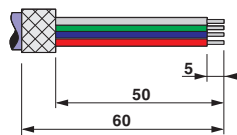
## Technical data

### Environmental Product Compliance

|            |   |
|------------|---|
| REACH SVHC | Lead 7439-92-1  |
| China RoHS | Environmentally Friendly Use Period = 50  |
|            | For details about hazardous substances go to tab "Downloads", Category "Manufacturer's declaration" |

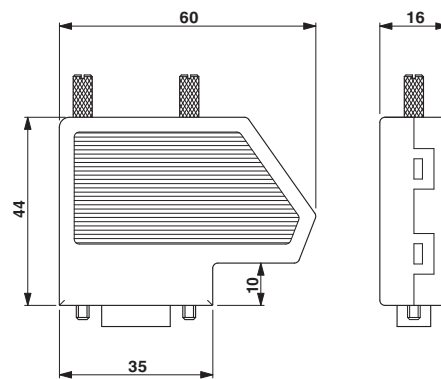
## Drawings

Schematic diagram



Stripping specifications

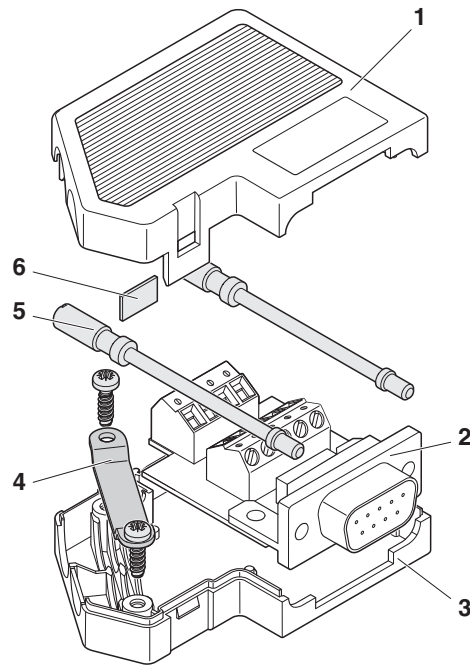
Dimensional drawing



Dimensional drawing SUBCON-PLUS...

## D-SUB bus connector - SUBCON-PLUS F3 - 2761871

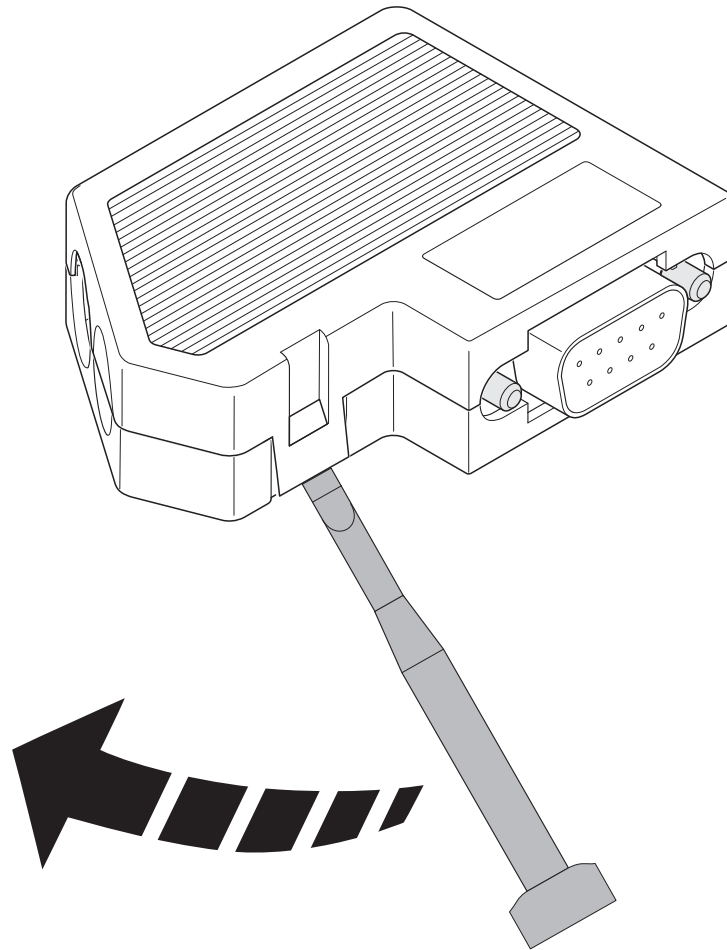
Schematic diagram



Function elements

## D-SUB bus connector - SUBCON-PLUS F3 - 2761871

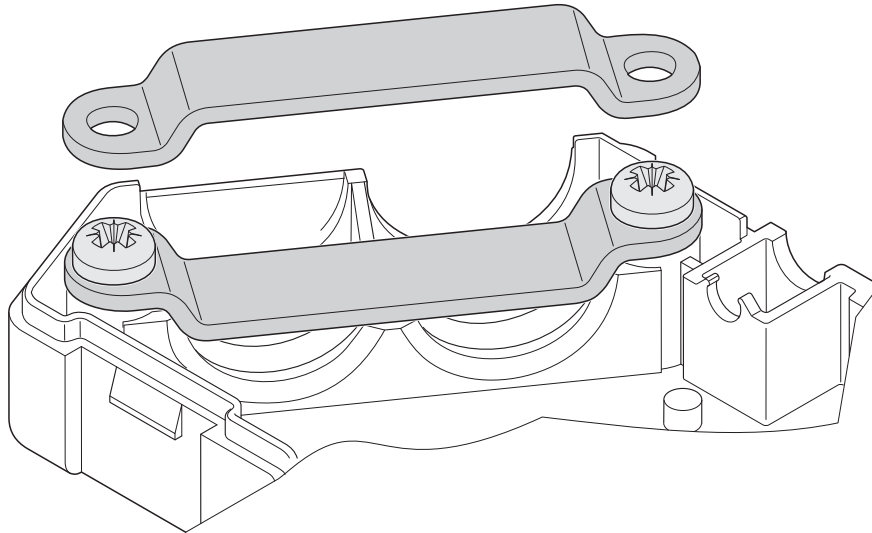
Schematic diagram



Opening the housing

## D-SUB bus connector - SUBCON-PLUS F3 - 2761871

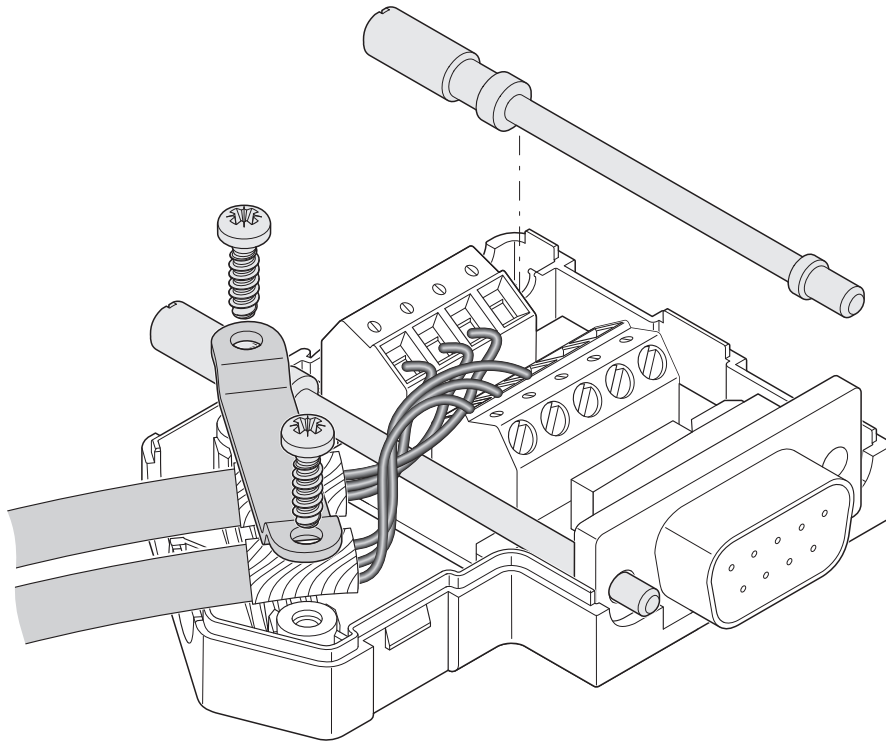
Schematic diagram



Clip bracket

## D-SUB bus connector - SUBCON-PLUS F3 - 2761871

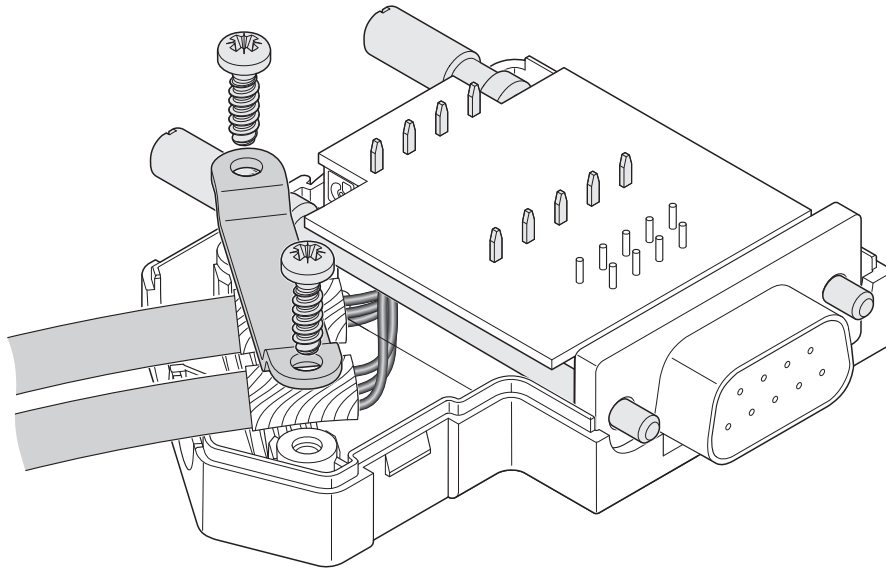
Schematic diagram



Left-hand side cable entry

# D-SUB bus connector - SUBCON-PLUS F3 - 2761871

Schematic diagram



Right-hand side cable entry

## Approvals

Approvals

---

Approvals

UL Recognized / cUL Recognized / EAC / cULus Recognized

---

Ex Approvals

ATEX / ATEX

---

## Approval details

|               |   |   |               |
|---------------|---|---|---------------|
| UL Recognized |  | <a href="http://database.ul.com/cgi-bin/XYV/template/LISEXT/1FRAME/index.htm">http://database.ul.com/cgi-bin/XYV/template/LISEXT/1FRAME/index.htm</a> | FILE E 238705 |
|---------------|---|---|---------------|



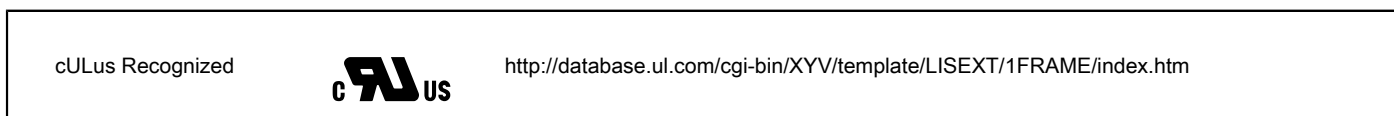
|                |   |   |               |
|----------------|---|---|---------------|
| cUL Recognized |  | <a href="http://database.ul.com/cgi-bin/XYV/template/LISEXT/1FRAME/index.htm">http://database.ul.com/cgi-bin/XYV/template/LISEXT/1FRAME/index.htm</a> | FILE E 238705 |
|----------------|---|---|---------------|





## D-SUB bus connector - SUBCON-PLUS F3 - 2761871

### Approvals



Phoenix Contact 2018 © - all rights reserved  
<http://www.phoenixcontact.com>

PHOENIX CONTACT GmbH & Co. KG  
Flachsmarktstr. 8  
32825 Blomberg  
Germany  
Tel. +49 5235 300  
Fax +49 5235 3 41200  
<http://www.phoenixcontact.com>