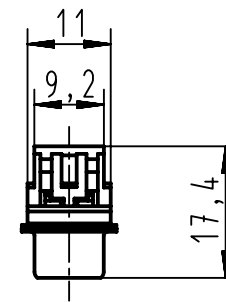
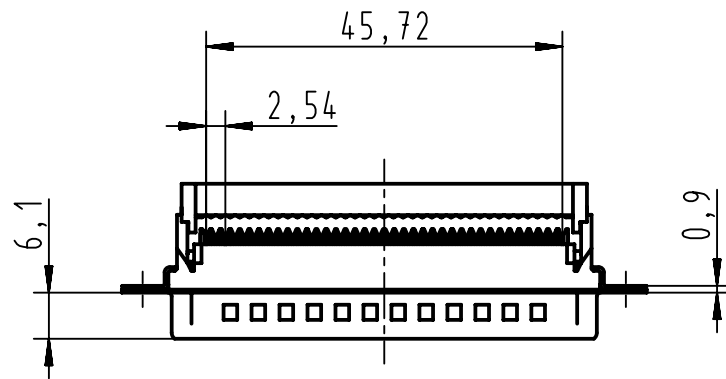
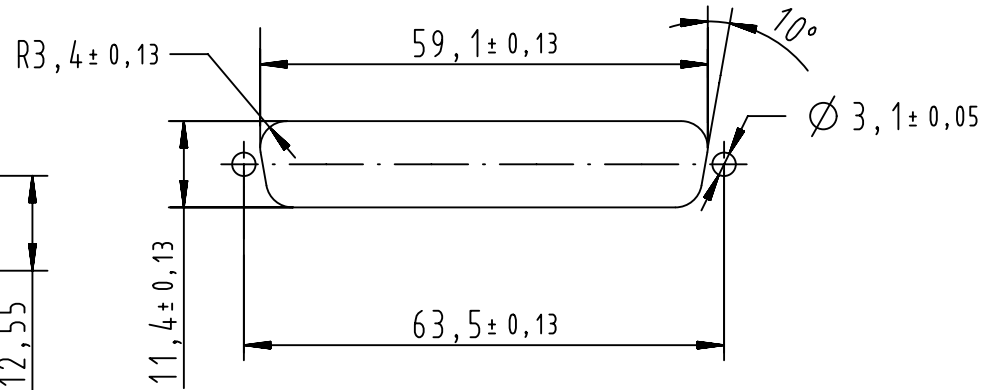


Recommended panel cutout dimensions  
for rear mounting  
According to CECC 75 301-802



After cover closing



All Dimensions in mm  
Original Size DIN A4

Scale  
1:1

Free size tol.

Ref.

Sub.

09664287700

PL3



All rights reserved  
Department EC PD - FR

Created by  
DOUGE

Inspected by  
BAGDIKIAN

Standardisation  
HOFFMANN

Date  
2013-04-23

State  
Final Release

09664286700

PL2

Title  
D-Sub IDC 37P male straight

Doc-Key / ECM-Nr.  
100527232/UGD/001/A  
5300000858839

Part number

Performance level

HARTING Electronics GmbH  
D-32339 Espelkamp

Type  
TB

Number  
0966428X700

Rev.  
A

Page  
1/1