



Tastomat

The polyamide hand-held enclosure for heavy duty use, ingress protection IP 65

- 2 sizes
- Glassbead-reinforced polyamide ensures high level of stability
- Continuous protective collar



Colour	Light grey, similar to RAL 7035; special colours on request
Protection class	IP 65/DIN EN 60529
Enclosure material	PA-GB, Neoprene CR seal; see Technical Information for details

Its material thicknesses, the design and the material used make this sturdy enclosure ideal for heavy-duty use. Even under extreme environmental conditions, this enclosure provides the fitted electronics with optimal protection.

Note: In case of prolonged heat (e.g. at 75 °C for 3 hours) an after-shrinkage of the material by up to 0.8 % is possible. To a similar extent, absorption of humidity may affect dimensions.



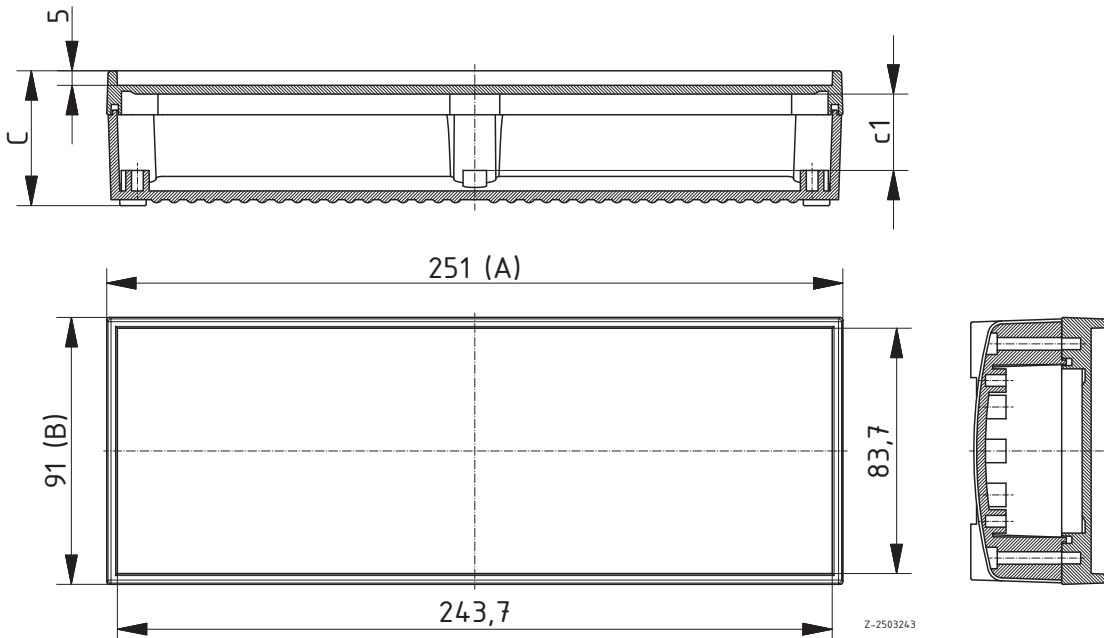
Tastomat



Tastomat 100 – 200

Model	Order no.	A	B	C	c1
TAS 100	08100000	251	91	46	26
TAS 200	08200000	251	91	80,4	60,4

Scope of delivery: Base, lid, 6 enclosure screws, 4 mounting screws



Application example

of our comprehensive range of services for Tastomat



Mechanical processing:

Milling, drilling, countersinking, thread-cutting, punching
Ultrasonic welding of individual mounting points

Mounting work:

Mounting of cable glands, battery compartments,
Mounting of threaded bushings, bolts and conductive seals

Gluing work:

Mounting of membrane keypads, wiring

Soldering and assembly work

**This is only a small selection
of our comprehensive range of services,
with which we manufacture individual
products of excellent quality.**

For more information, please see the introduction to the catalogue.