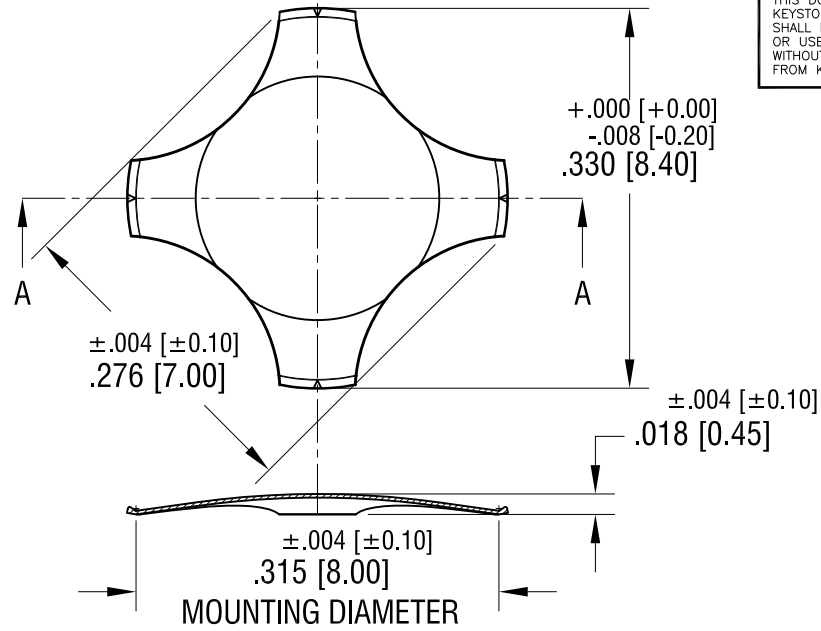
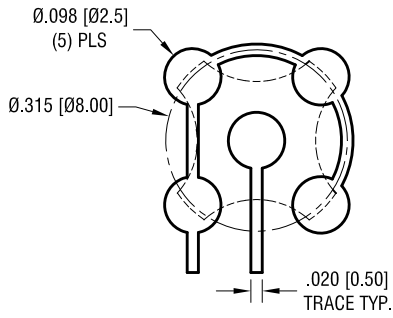


THIS DOCUMENT IS THE PROPERTY OF KEYSTONE ELECTRONICS CORP. AND SHALL NOT BE REPRODUCED, DISTRIBUTED OR USED AS A BASIS FOR MANUFACTURE WITHOUT PRIOR WRITTEN PERMISSION FROM KEYSTONE ELECTRONICS CORP.

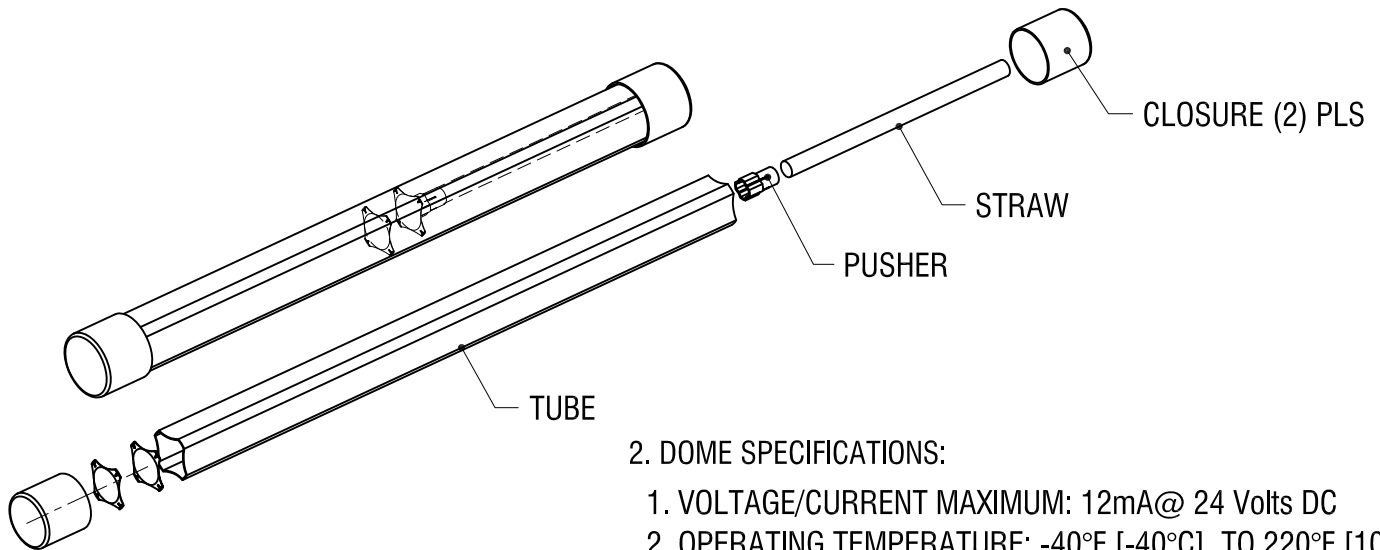
**MTG DETAILS**



**ACTUAL SIZE**



**SECTION A-A**



NOTES: SUPPLIED IN TUBES

- 1. TUBE SPECIFICATIONS: 6.30 [160.00] LONG  
800 DOMES PER TUBE

2. DOME SPECIFICATIONS:

- 1. VOLTAGE/CURRENT MAXIMUM: 12mA@ 24 Volts DC
- 2. OPERATING TEMPERATURE: -40°F [-40°C] TO 220°F [105°C]
- 3. STORAGE TEMPERATURE: -65°F [-55°C] TO 250°F [125°C]
- 4. MAT'L: .003 [0.08] STAINLESS STEEL
- 5. FINISH: NICKEL PLATE
- 6. TRIP FORCE: 220g

**KEYSTONE ELECTRONICS CORP.**

www.keyelco.com • ASTORIA, N.Y. 11105-2017 • Tel (718) 956-8900

PART NAME		MINI 4 LEG DOME	
MATERIAL		AS NOTED	
FINISH	AS NOTED	DRN BY	NT
		DATE	2.15.17
		APP'D	LN
		SCALE	6X; NA
TOLERANCES	INCH [MM]	CODE	DWG NO.
DECIMAL	± .005 [± 0.13]	C	5133
ANGULAR	± 1°		
UNLESS OTHERWISE SPECIFIED			

DATE	DESCRIPTION	REV.
------	-------------	------