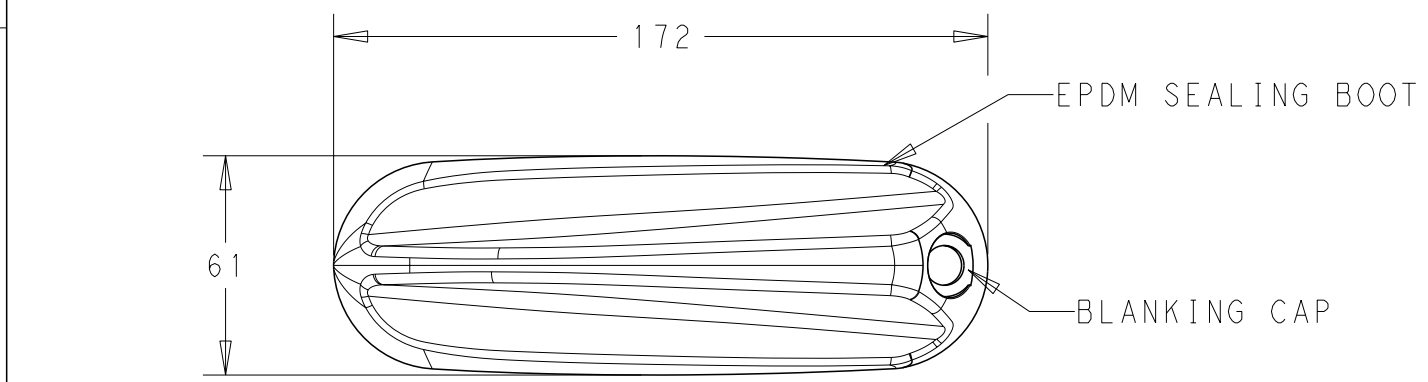
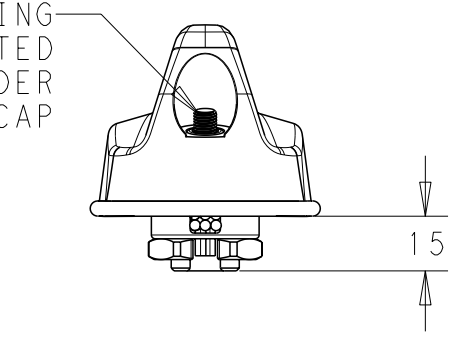
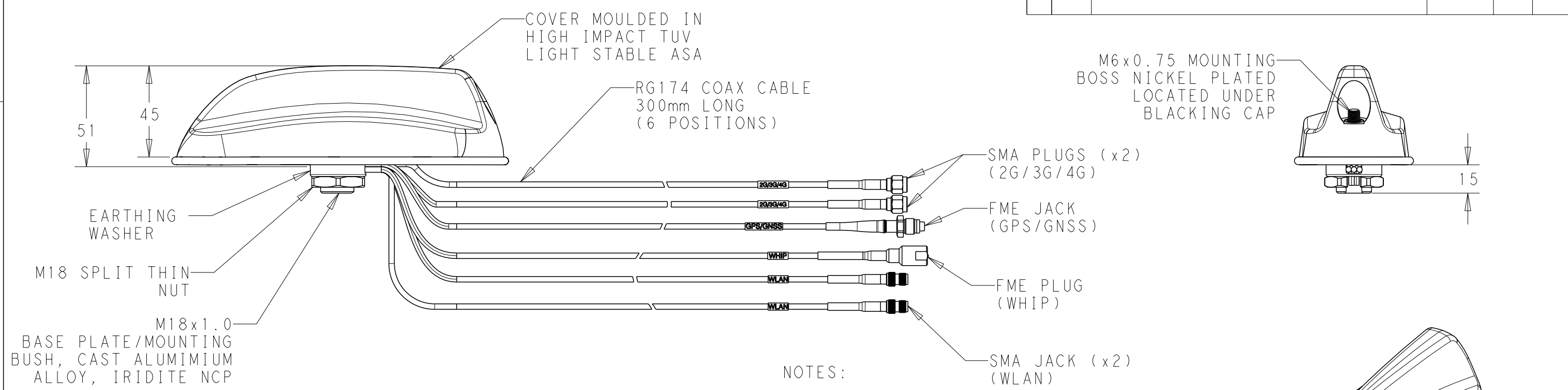
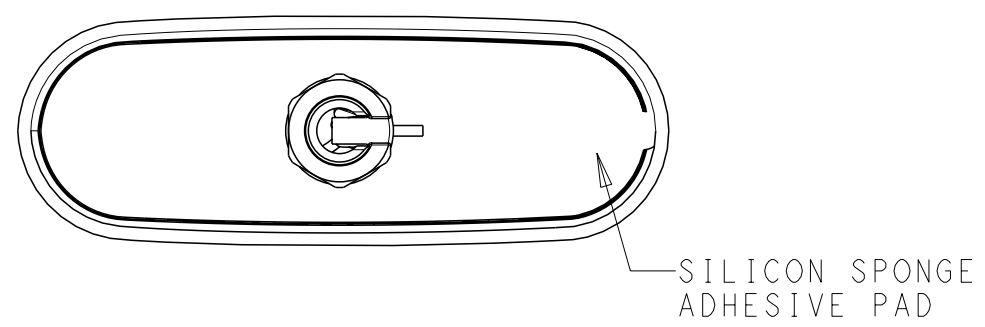
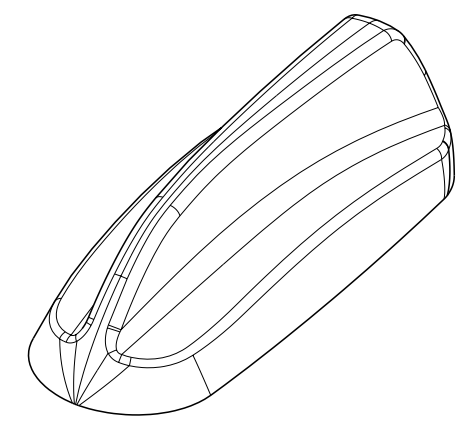


THIS DRAWING IS UNPUBLISHED.		RELEASED FOR PUBLICATION	
© COPYRIGHT 20 BY -		ALL RIGHTS RESERVED.	
PROJECT	PRJ-16-000906992		
PART NO.	1-2823602-1		
HV DESC	MiMo with GPS/GNSS 2G/3G/4G WLAN ANT		
CUSTOMER	GENERAL MARKET		

P	LTR	DESCRIPTION	DATE	DWN	APVD
	A	NEW RELEASE	12JUL2016	KK	GG
	A1	ECR-16-013123	14SEP2016	KK	GG



- NOTES:
- ALL PARTS MUST BE RoHS COMPLIANT AND MUST NOT CONTAIN ANY SUBSTANCES OF VERY HIGH CONCERN (SVHCs) LISTED UNDER REACH OR POLY-AROMATIC HYDROCARBONS (PAHs), OR PERSISTANT ORGANIC POLLUTANTS (POPs) CONTROLLED BY THE STOCKHOLM CONVENTION.
 - WEIGHT 262.7 gr.
 - FOR INSTALLATION INSTRUCTIONS, PLEASE REFER 408-156029.

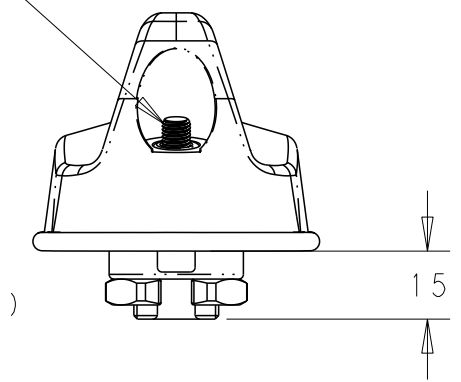
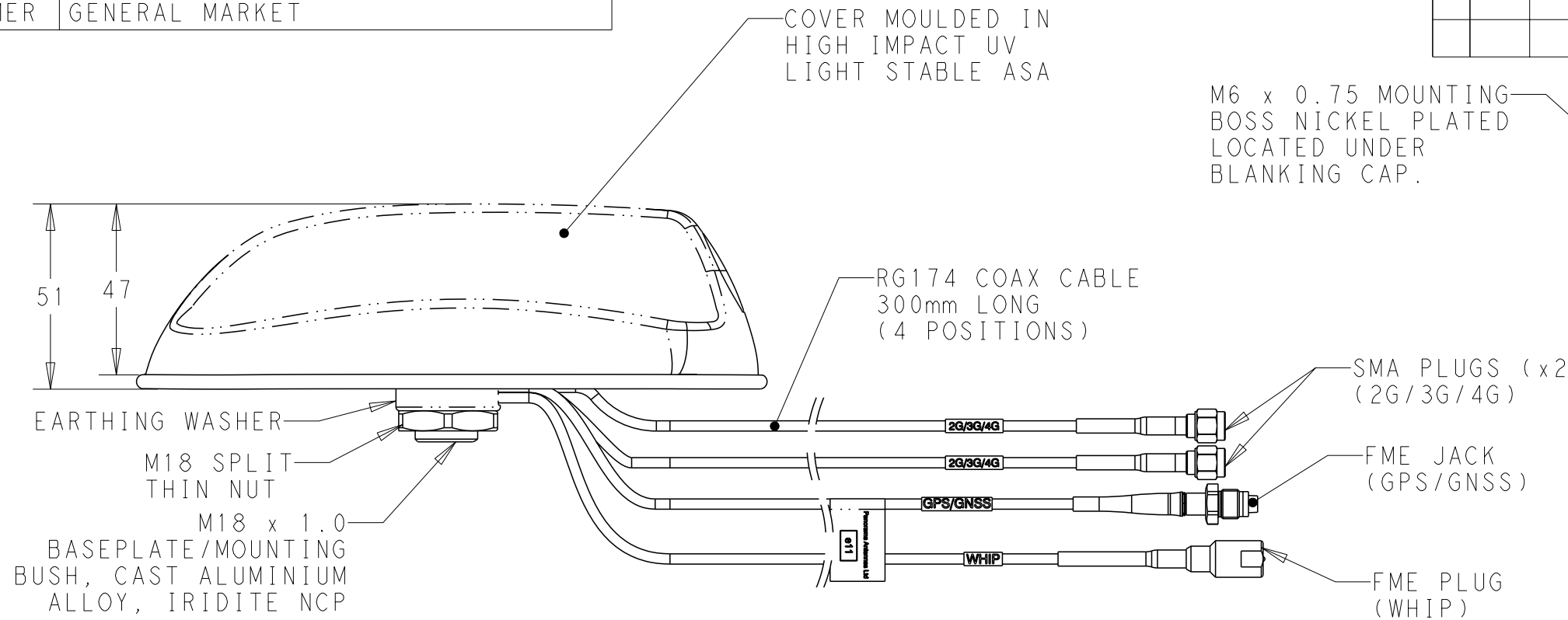


THIS DRAWING IS A CONTROLLED DOCUMENT.		1-2823602-1		MiMo with GPS/GNSS 2G/3G/4G WLAN ANT		BLACK COLOR	
DIMENSIONS: mm		TE PN'S		DESCRIPTION		REMARKS	
TOLERANCES UNLESS OTHERWISE SPECIFIED:		DWN KIRAN K 12JUL2016		 TE Connectivity		NAME	
0 PLC ±0.5		CHK GUNASEKHAR G 12JUL2016				MiMo with GPS/GNSS 2G/3G/4G WLAN ANT	
1 PLC ±0.2		APVD GUNASEKHAR G 12JUL2016				PRODUCT SPEC	
2 PLC ±0.1		PRODUCT SPEC		APPLICATION SPEC		RESTRICTED TO	
3 PLC ±		WEIGHT		SIZE		CAGE CODE	
4 PLC ±		-		A300779		G=2823602	
ANGLES ±1°		CUSTOMER DRAWING		SCALE		SHEET 1 OF 2	
FINISH		-		NTS		REV A1	

THIS DRAWING IS UNPUBLISHED. RELEASED FOR PUBLICATION 20
 © COPYRIGHT 20 BY - ALL RIGHTS RESERVED.

PROJECT	PRJ-16-000906992
PART NO.	1-2823602-2
HV DESC	2x2 CELLULAR MiMo + GPS + WHIP
CUSTOMER	GENERAL MARKET

REVISIONS					
P	LTR	DESCRIPTION	DATE	DWN	APVD
-	-	SEE SHEET 1	-	-	-

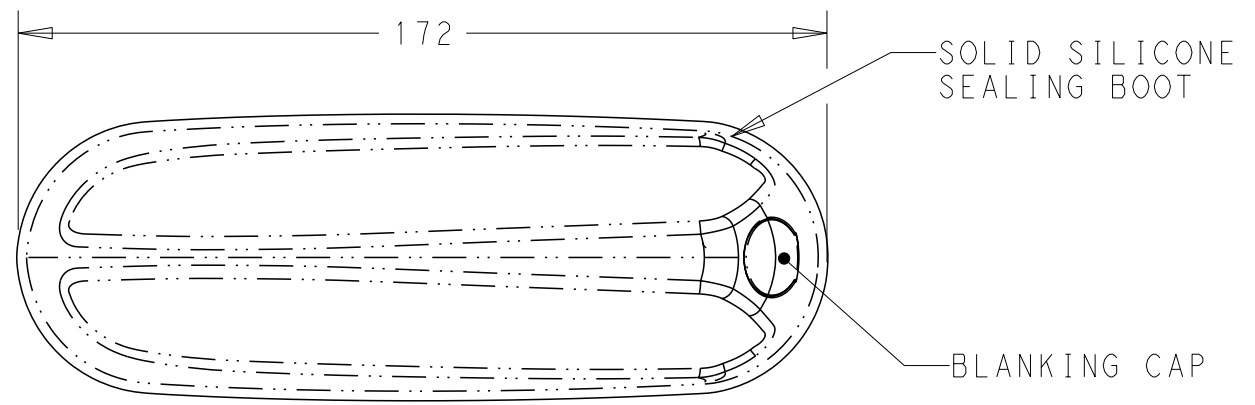
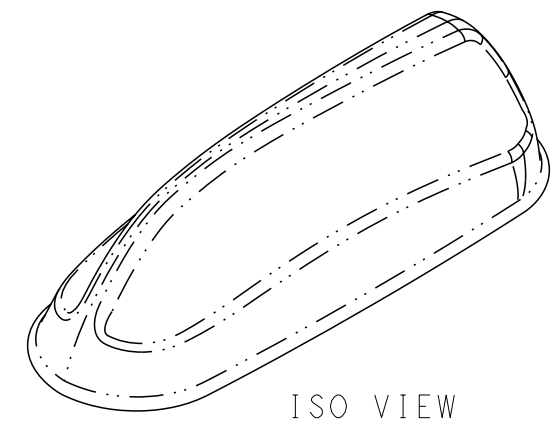


NOTES:

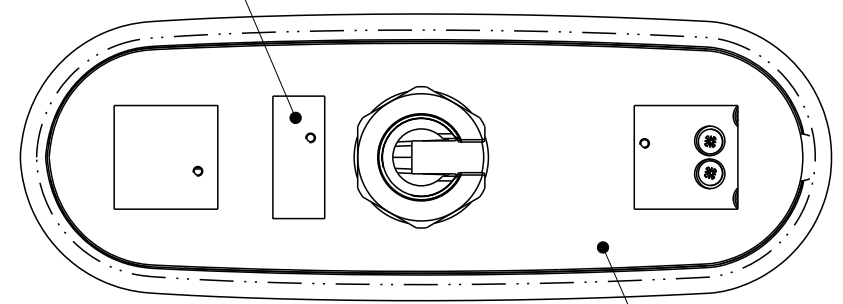
- ALL MATERIALS SUPPLIED MUST BE RoHS2 (DIRECTIVE 2011/65/EU) COMPLIANT AND MUST NOT CONTAIN ANY SUBSTANCES OF VERY HIGH CONCERN (SVHCs) LISTED UNDER REACH OR POLY-AROMATIC HYDROCARBONS (PAHs), OR PERSISTENT ORGANIC POLLUTANTS (POPs) CONTROLLED BY THE STOCKHOLM CONVENTI.
- WEIGHT: 219.36 gr.

OPERATING FREQUENCIES:

698 - 960 / 1710 - 2700 MHz x2
 1562 - 1612 MHz 26dB LNA



PRODUCT LABEL LOCATION



1-2823602-2	2x2 CELLULAR MiMo + GPS + WHIP	BLACK COLOR
TE PN'S	DESCRIPTION	REMARKS

THIS DRAWING IS A CONTROLLED DOCUMENT.	
DIMENSIONS: mm	TOLERANCES UNLESS OTHERWISE SPECIFIED:
	0 PLC ±0.5
	1 PLC ±0.2
	2 PLC ±0.1
	3 PLC ±
	4 PLC ±
	ANGLES ±1°
MATERIAL	FINISH
-	-
-	-

DWN	14SEP2016
KIRAN K	
CHK	14SEP2016
GUNASEKHAR G	
APVD	14SEP2016
GUNASEKHAR G	
PRODUCT SPEC	
-	
APPLICATION SPEC	
-	
WEIGHT	-

TE Connectivity		NAME	
		2x2 CELLULAR MiMo + GPS+ WHIP	
SIZE	CAGE CODE	DRAWING NO	RESTRICTED TO
A3	00779	C-2823602	-
CUSTOMER DRAWING		SCALE	SHEET
		NTS	2 OF 2
			REV A1