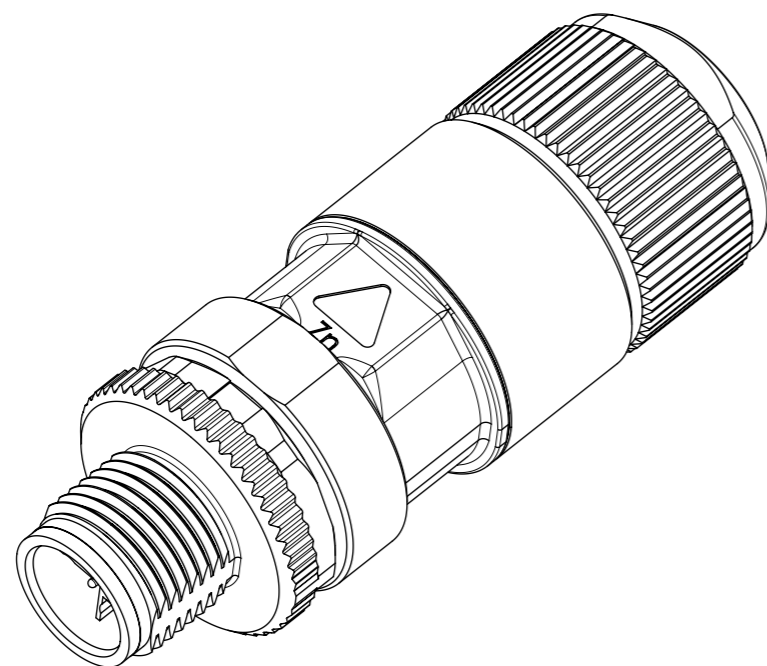


SCALE 5:1

Anschluss / CONNECTION	
Farbcode / COLOUR CODE	PIN Nr. /NO.
W - O	1
O	2
W - G	3
G	4
W - BR	5
BR	6
W - BL	7
BL	8

ENG.-NO: E2AS06-52


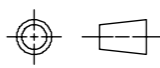


QUALITY SYMBOLS	THIS DRAWING CONTAINS INFORMATION THAT IS PROPRIETARY TO MOLEX INCORPORATED AND SHOULD NOT BE USED WITHOUT WRITTEN PERMISSION												
▽ = 0	EC DESCRIPTION EC NO: 104097 DRWN: KGRUEDL CHK'D: APPR: CBRUNS	2015/11/25 2016/04/07	GENERAL TOLERANCES (UNLESS SPECIFIED)		DIMENSION UNITS	SCALE							
▽ = 0			ANGULAR TOL ± 1.0 °		MM	2:1							
▽ = 0			4 PLACES ±		DRWN BY		DATE		FA M12 CAT6A 8P XC MA STR SHLD IDC				
▼ = 0			3 PLACES ±		KGRUEDL		2015/11/25						
▽ = 0			2 PLACES ± 0.05		CHK'D BY		DATE		PRODUCT CUSTOMER DRAWING				
▽ = 0			1 PLACE ± 0.3		APPR BY		DATE						
☒ = 0			0 PLACES ± 0.5		CBRUNS		2016/04/07		SERIES	MATERIAL NUMBER	CUSTOMER		
■ = 0			DRAFT WHERE APPLICABLE MUST REMAIN WITHIN DIMENSIONS		DRAWING SIZE		THIRD ANGLE PROJECTION		120341	1203410806			
▽ = 0					A3				DOCUMENT NUMBER	DOC TYPE	DOC PART	SHEET NUMBER	
									1203410806	PSD	000	1 OF 2	

9	8	7	6	5	4	3	2	1
Technische Daten / TECHNICAL DATA				Elektrische Eigenschaften		ELECTRICAL CHARACTERISTICS		
Steckverbinder-Norm	IEC 61076-2-109		CONNECTOR STANDARD	Isolationswiderstand		≥ 100 MΩ		INSULATION RESISTANCE
Mechanische Eigenschaften			MECHANICAL CHARACTERISTICS	Durchgangswiderstand		≤ 10 mΩ		CONTACT RESISTANCE
Steckkraft	≤ 30 N		INSERTION FORCE	Spannungsfestigkeit				VOLTAGE PROOF
Lebensdauer	≥ 100		LIFE	Kontakt-Kontakt		≥ 500 V, DC		CONTACT-CONTACT
Werkstoffe			MATERIALS	Kontakt-Schirm		≥ 500 V, DC		CONTACT-SHIELD
Steckergehäuse	Zinkdruckguß vernickelt / ZINC DIECAST NICKEL-PLATED Messing vernickelt / BRASS NICKEL-PLATED		CONNECTOR HOUSING	Strombelastbarkeit bei 40°C		0,5 A		CURRENT CARRYING CAPACITY AT 40°C
Adernvorsortierung	PA UL94 V0 weiß / WHITE		WIRE PAIR PRESORTING	**Bemessungsspannung		50 V / AC, 60 V / DC		**RATED VOLTAGE
Kontaktgehäuse	PA UL 94 V0		CONTACT HOUSING	PoE+ gemäß IEEE 802.3at		Geeignet für Power over Ethernet+ ADEQUATE FOR POWER OVER ETHERNET+		PoE+ ACCORDING TO IEEE 802.3AT
Klemmkäfig	PA UL 94 V0		CLAMP CAGE	Übertragungstechnische Eigenschaften				TRANSMISSION PERFORMANCE
IDC-Kontakte	Messing / BRASS, MIN. 3...6 µm Sn PLATED		IDC-CONTACTS	10 Gigabit Ethernet gemäß IEEE 802.3an		Geeignet für 10 Gigabit Ethernet ADEQUATE FOR 10 GIGABITE ETHERNET		10 GIGABIT ETHERNET ACCORDING TO IEEE 802.3AN
Schirmkontakt	Neusilber / GERMAN SILVER		SHIELD CONTACT	Kategorie 6A		ISO / IEC 11801; DIN EN 50173-1		CATEGORY 6A
Oberfläche Kontakte	min. 0.8 µm Au über / on 1.2 µm Ni		CONTACT FINISH	KLASSE EA		ISO / IEC 11801; DIN EN 50173-1		CLASS EA
Dichtungen	NBR		SEALINGS	Kategorie 6A		ANSI / TIA / EIA - 568 - C.2		CATEGORY 6A
Adernanschluss			WIRE CONNECTION	Normen				Standards
Cu-Leiterdurchmesser	Massiv / SOLID 0,51 - 0,64 mm AWG 24 - AWG 22 / 1 Litze / STRANDED 0,46 - 0,76 mm AWG 27 - AWG 22 / 7 *Litze / STRANDED 0,61 - 0,78 mm AWG 26 - AWG 22 / 19		CU-CONDUCTOR DIAMETER	Anwendungsneutrale Kommunikationskabelanlagen		ANSI / TIA / EIA - 568 - C.2; ISO / IEC 11801; DIN EN 50173-1		GENERIC CABLE SYSTEMS
Aderndurchmesser	0,9 - 1,6 mm		INSULATION DIAMETER	IP-Schutzarten		IEC 60529		DEGREES OF PROTECTION PROVIDED BY ENCLOSURES (IP CODE)
Kabeldurchmesser	5,5 - 9,0 mm		CABLE DIAMETER	Zulassung				APPROVAL
Dichtungen	NBR		SEALINGS	UL-gelistet		-		UL LISTED
Umweltanforderungen			ENVIRONMENTAL REQUIREMENTS					
Mechanisch			MECHANICAL					
Schocken	250 ms <sup>-2</sup>		SHOCK					
Schwingen sinusförmig (9Hz - 500Hz)	50 ms <sup>-2</sup>		VIBRATION SINUSOIDAL (9Hz - 500 Hz)					
Schutz vor Eindringen			PROTECTION AGAINST INGRESS					
Eindringen von Teilchen / Wasser / Untertauchen	IP 67		PARTICULATE INGRESS WATER / IMMERSION					
Verschmutzungsgrad	3		POLLUTION DEGREE					
Klimatisch und chemisch			CLIMATICAL AND CHEMICAL					
Umgebungstemperatur	-40°C bit / TO +85°C		AMBIENT TEMPERATURE					

\*\* Die Bemessungsspannung basiert auf dem Verschmutzungsgrad 2  
THE RATED VOLTAGE IS BASED ON POLLUTION DEGREE 2

Für alle aufgeführten Standards gelten die aktuellen und publizierten Ausgabestände zum Zeitpunkt der Erstellung des Datenblattes.  
THE VERSIONS OF THE AFOREMENTIONED STANDARDS CURRENT AT THE TIME THE DATA-SHEET WAS CREATED ARE VALID.

QUALITY SYMBOLS	THIS DRAWING CONTAINS INFORMATION THAT IS PROPRIETARY TO MOLEX INCORPORATED AND SHOULD NOT BE USED WITHOUT WRITTEN PERMISSION											
▽ = 0	EC DESCRIPTION EC NO: 104097 DRWN: KGRUEDL CHK'D: REV APPR: CBRUNS	2015/11/25 2016/04/07	GENERAL TOLERANCES (UNLESS SPECIFIED)		DIMENSION UNITS	SCALE						
▽ = 0			ANGULAR TOL ± 1.0 °		MM	2:1						
▽ = 0			4 PLACES ±	KGRUEDL	2015/11/25							
▽ = 0			3 PLACES ±	CHK'D BY	DATE	FA M12 CAT6A 8P XC MA STR SHLD IDC						
▽ = 0			2 PLACES ± 0.05	APPR BY	DATE							
▽ = 0			1 PLACE ± 0.3	CBRUNS	2016/04/07							
□ = 0			0 PLACES ± 0.5	DRAWING SIZE	THIRD ANGLE PROJECTION	PRODUCT CUSTOMER DRAWING		SERIES	MATERIAL NUMBER	CUSTOMER		
■ = 0			DRAFT WHERE APPLICABLE MUST REMAIN WITHIN DIMENSIONS		A3			120341	1203410806			
▽ = 0							DOCUMENT NUMBER		DOC TYPE	DOC PART	SHEET NUMBER	
							1203410806		PSD	000	2 OF 2	